

OP-SC1B

Linear Potentiometer Signal conditioner for Resistive Potentiometers

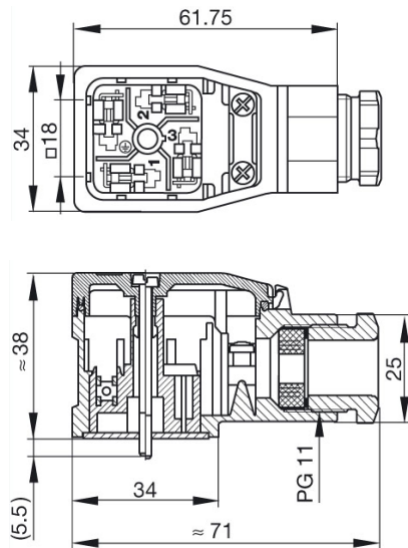
Standardized output signals

- 0...10 V
- 0...20 mA
- 4...20 mA



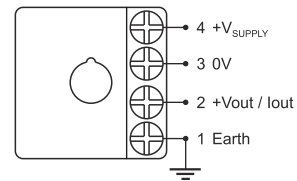
Technical specifications

Operating voltage	15 ... 30 VDC
Outputs	0 ... 10 VDC, 0 ... 20 mA or 4 ... 20 mA
Permitted potentiometer resistance	$\geq 2 \text{ KOhm} < 20\text{KOhm}$
Reverse voltage protection	Integrated
Current consumption (without load)	Max. 5 mA
Internal supply voltage for the potentiometer	10 VDC
Recommended cable	3 core cable with proper shielding
Typical linearity error (typical)	0,05%FSO
Dimensions	See drawing
Protection class	IP 65
Operating temperature	-20°C ... +80°C
Storage temperature	-30°C ... +90°C



Pin Configurations

- 1 : Earth (Shield)
- 2 : Vout / Iout
- 3 : 0V (Supply)
- 4 : +Vsupply



Model	Output Type	Supply Voltage	Connector Type
OP-SC1B	V10	V4	C1
OP-SC1B	V10: 0 ... 10 V I4 : 4 ... 20 mA I20 : 0 ... 20 mA	V4: 15 - 30 VDC	C1: 4 pin connector