

# PMT2 Panel Mount Power Supply

PMT2 100W series / PMT-□V100W2B□□

## PMT2

### Highlights & Features

- Household appliance approvals for pollution degree 3 to IEC/EN 60335-1, IEC/EN 61558-1 and IEC/EN 61558-2-16
- Universal AC input voltage range
- No load power consumption < 0.3W
- Low profile design : 30mm height
- Over voltage category III
- Conforms to harmonic current IEC/EN 61000-3-2, Class A
- High MTBF > 700,000 hrs per Telcordia SR-332

### Safety Standards



CB Certified for worldwide use

**Model Number:** PMT-□V100W2B□□  
**Unit Weight:** 0.285 kg (0.628 lb)  
**Dimensions (L x W x D):** 129 x 97 x 30 mm  
 (5.08 x 3.82 x 1.18 inch)

### General Description

PMT 2<sup>nd</sup> generation (PMT2) power supplies is designed with low profile, offers universal input with nominal output voltage. The highly efficient convection cooling construction can operate from -30°C to 70°C. The single output is specifically designed with compact and competitively priced for household electrical appliances safety approvals to pollution degree 3 as well as including IEC/EN 60335-1, IEC/EN 61558-2-16, IEC/EN/UL 60950-1.

### Model Information

PMT2 Panel Mount Power Supply

Model Number	Input Voltage Range	Rated Output Voltage	Rated Output Current
PMT-12V100W2B□□	90-264Vac	12Vdc	8.5A
PMT-24V100W2B□□		24Vdc	4.5A

### Model Numbering

							CC code*
PM	T –	□V	100W	2	B	□	□
Panel Mount	Product Type T – Enclosed	Output Voltage 12 – 12V 24 – 24V	Output Power	Single Phase with Low Profile	Family Code: B With No PFC	Connector Type A – Terminal Block	Blank – Without connector cover

\*Options

# PMT2 Panel Mount Power Supply

## PMT2 100W series / PMT-□V100W2B□□

### Specifications

Model Number	PMT-12V100W2B□□	PMT-24V100W2B□□
--------------	-----------------	-----------------

### Input Ratings / Characteristics

Nominal Input Voltage	100-240Vac	
Input Voltage Range	90-264Vac	
Nominal Input Frequency	50-60Hz	
Input Frequency Range	47-63Hz	
Input Current	1.9A typ. @ 115Vac, 1.2A typ. @ 230Vac	
Efficiency at 100% Load @ 230Vac	87% typ.	89% typ.
No Load Power Consumption	0.3W typ. @ 230Vac	
Max Inrush Current (Cold Start)	55A typ. @ 230Vac	
Leakage Current	< 0.75mA @ 240Vac/50Hz	

### Output Ratings / Characteristics\*

Nominal Output Voltage	12Vdc	24Vdc
Factory Set Point Tolerance	12Vdc ± 1%	24Vdc ± 1%
Output Voltage Adjustment Range	10.8-13.2Vdc	21.6-26.4Vdc
Output Current	8.5A	4.5A
Output Power	102W Max.	108W Max.
Line Regulation	< 0.5% typ. (@ 115Vac & 230Vac input, 100% Load)	
Load Regulation	< 0.5% typ. (@ 115Vac & 230Vac input, 0-100% Load)	
PARD** (20MHz)	< 120mVpp @ 0°C to 50°C, 360mVpp typ. @ -30°C to 0°C	< 150mVpp @ 0°C to 50°C, 450mVpp typ. @ -30°C to 0°C
Rise Time	15ms typ. @ 115Vac & 230Vac (100% load)	
Start-up Time	500ms typ. @ 115Vac & 230Vac (100% load)	
Hold-up Time	5ms typ. @ 115Vac, 40ms typ. @ 230Vac	
Dynamic Response (Overshoot & Undershoot O/P)	± 10% @ 115 & 230Vac input, 0-50%, 5-100%, 50-100% load (Slew Rate: 2.5A/μS, 50% duty cycle @ 5Hz & 10KHz)	
Start-up with Capacitive Loads	4,000μF Max	4,000μF Max

\*For power de-rating from > 50°C to 70°C, see power de-rating on page 3.

\*\*PARD is measured with an AC coupling mode, and in parallel to end terminal with 0.1μF ceramic capacitor & 47μF electrolytic capacitor. PSU need to burn in > 5 minutes when AMB ≤ 0°C

# PMT2 Panel Mount Power Supply

## PMT2 100W series / PMT-□V100W2B□□

### Mechanical

Case Chassis	Aluminium
Case Cover	SGCC
Dimensions (L x W x D)	129 x 97 x 30 mm (5.08 x 3.82 x 1.18 inch)
Unit Weight	0.285 kg (0.628 lb)
Indicator	Green LED (DC OK)
Cooling System	Convection
Terminal	M3.5 x 7 Pins (Rated 300V/15A)
Wire	AWG 22-12
Noise (1 Meter from power supply)	Sound Pressure Level (SPL) < 25dBA

### Environment

Surrounding Air Temperature	Operating	-30°C to +70°C ( -40°C Cold Start)
	Storage	-40°C to +85°C
Power De-rating	> 50°C de-rate power by 2% / °C < 115Vac de-rate power by 0.6% / V (85% load @ 90Vac)	
Operating Humidity	5 to 95% RH (Non-Condensing)	
Operating Altitude	0 to 5,000 Meters (0 to 16,400 ft)	
Shock Test	Non-Operating	IEC 60068-2-27, Half Sine Wave: 50G for a duration of 11ms, 3 shocks for each 3 directions
	Operating	IEC 60068-2-27, Half Sine Wave: 10G for a duration of 11ms, 3 shock for each 2 directions.
Vibration	Non-Operating	IEC 60068-2-6, Random: 5Hz to 500Hz (2.09G); 20 min per axis for all X, Y, Z direction
	Operating	IEC 60068-2-6, Sine Wave: 20Hz to 500Hz (5G); 10min per cycle, 60min for each axis (X, Y,Z)
Over Voltage Category	III (Compliance to EN 62477-1 with 2000 meters altitude)	
Pollution Degree	3	

### Protections

Overvoltage	13.2-17.4V SELV Output, Latch Mode	26.4-33.6V SELV Output, Latch Mode
Overload / Overcurrent	110-175% of rated load current, Hiccup Mode Non-Latching (Auto-Recovery)	
Over Temperature	Latch Mode	
Short Circuit	Hiccup Mode, Non-Latching (Auto-Recovery when the fault is removed)	
Protection Against Shock	Class I with PE* connection (Must be connected Earth terminal with ⊕ mark on metal side surface.)	

\*PE: Primary Earth

### Reliability Data

3 | All parameters are specified at 25°C ambient and AC input unless otherwise indicated.  
www.DeltaPSU.com (February 2019, Rev. 04)



# PMT2 Panel Mount Power Supply

## PMT2 100W series / PMT-□V100W2B□□

MTBF	> 700,000 hrs as per Telcordia SR-332 I/P: 230Vac, O/P: 100% Load, Ta: 25°C)
Expected Cap Life Time	10 years (230Vac, 50% load @ 40°C)

### Safety Standards / Directives

Safety Entry Low Voltage		SELV (EN 60950-1)
Electrical Safety	TUV Bauart cTUVus CB scheme CCC	EN 62368-1, EN 60950-1, EN60335-1, EN 61558-1/-2-16 UL 62368-1 and CSA C22.2 No. 62368-1 IEC 62368-1, IEC 60950-1, IEC 60335-1, IEC 61558-1/-2-16 GB4943
CE		In conformance with EMC Directive 2014/30/EU and Low Voltage Directive 2014/35/EU
Material and Parts		RoHS Directive 2011/65/EU Compliant
Galvanic Isolation	Input to Output	3.75KVac
	Input to Ground	2.0KVac
	Output to Ground	0.5KVac

### EMC

Emissions (CE & RE)		CISPR 32, EN 55032 Compliance to EN55014-1, FCC Title 47: Class B
Immunity		EN 55024, EN 55035, Compliance to EN55014-2
Electrostatic Discharge	IEC 61000-4-2	Level 4 Criteria A <sup>1)</sup> Air Discharge: 15kV Contact Discharge: 8kV
Radiated Field	IEC 61000-4-3	Level 3 Criteria A <sup>1)</sup> 80MHz-1GHz, 10V/M with 1kHz tone / 80% modulation
Electrical Fast Transient / Burst	IEC 61000-4-4	Level 3 Criteria A <sup>1)</sup> 2kV
Surge	IEC 61000-4-5	Level 3 Criteria A <sup>1)</sup> Common Mode <sup>2)</sup> : 2kV Differential Mode <sup>3)</sup> : 1kV
Conducted	IEC 61000-4-6	Level 3 Criteria A <sup>1)</sup> 150kHz-80MHz, 10Vrms
Power Frequency Magnetic Fields	IEC 61000-4-8	Level 4 Criteria A <sup>1)</sup> 30A/Meter
Voltage Dips and Interruptions	IEC 61000-4-11	100% dip; 1 cycle, Criteria B <sup>2)</sup> 40% dip; 10 cycle, Criteria C <sup>3)</sup> 70% dip; 25 cycle, Criteria C <sup>3)</sup> 100% dip; 250 cycle, Criteria C <sup>3)</sup>
Harmonic Current Emission	IEC/EN 61000-3-2	Class A

1) Criteria A: Normal performance within the specification limits

2) Criteria B: Output out of regulation, or shuts down during test. Automatically restored to normal operation after test.

3) Criteria C: Output out of regulation, shuts down during test (Need to recycle AC power cord to normal operation after test)

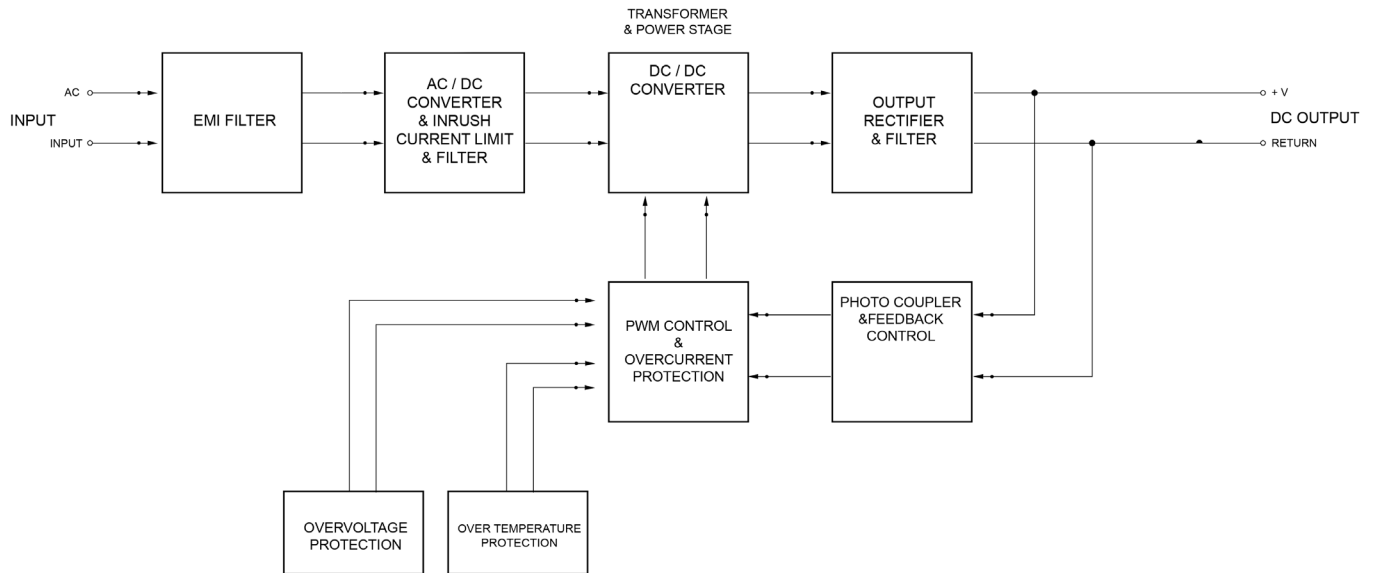
4) Asymmetrical: Common mode (Line to earth)

5) Symmetrical: Differential mode (Line to line)

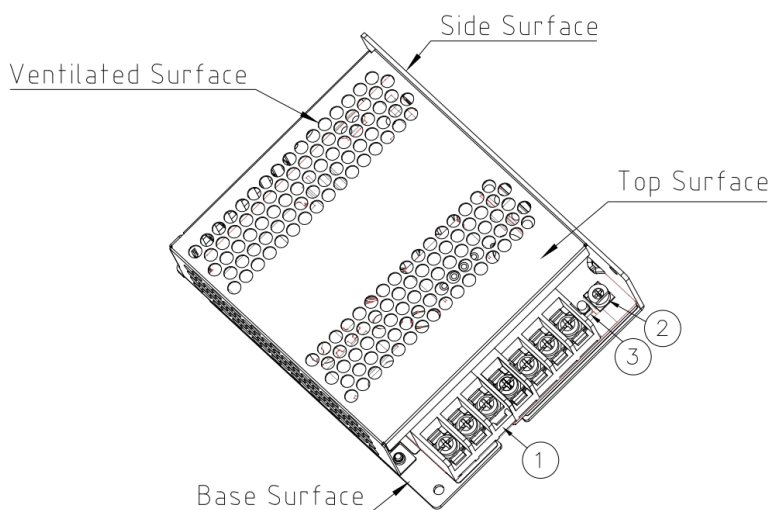
# PMT2 Panel Mount Power Supply

PMT2 100W series / PMT-□V100W2B□□

## Block Diagram



## Device Descriptions



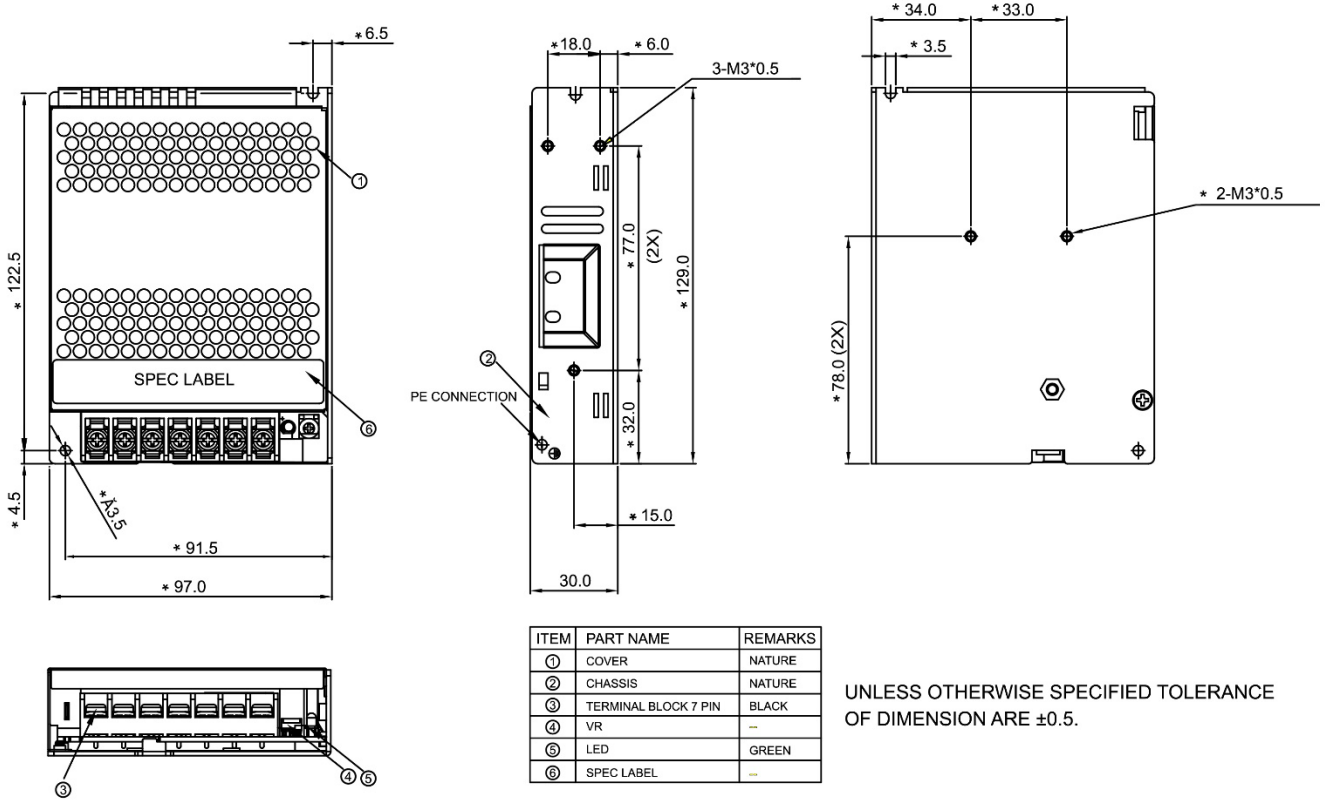
- 1) Input & Output terminal block connector
- 2) DC voltage adjustment potentiometer
- 3) DC OK control LED (Green)

# PMT2 Panel Mount Power Supply

PMT2 100W series / PMT-□V100W2B□□

## Dimensions

L x W x D: 129 x 97 x 30 mm (5.08 x 3.82 x 1.18 inch)

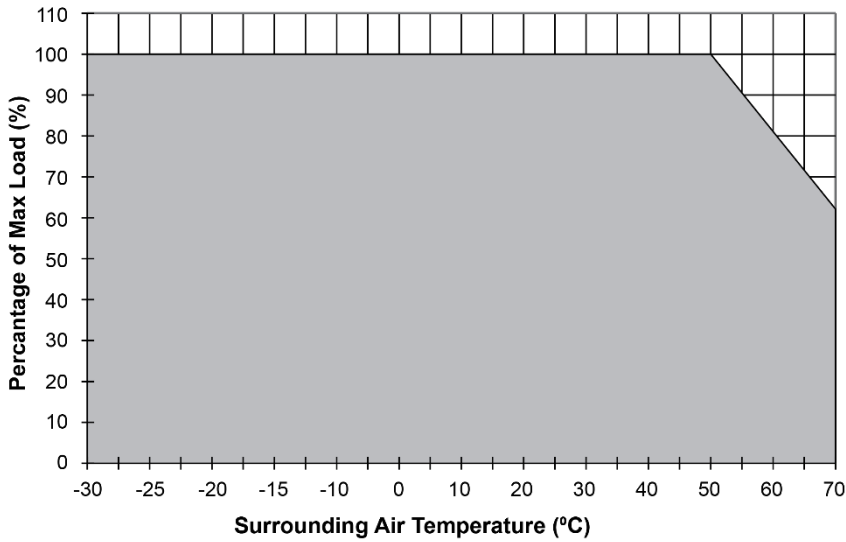


# PMT2 Panel Mount Power Supply

PMT2 100W series / PMT-□V100W2B□□

## Engineering Data

### Output Load De-rating VS Surrounding Air Temperature

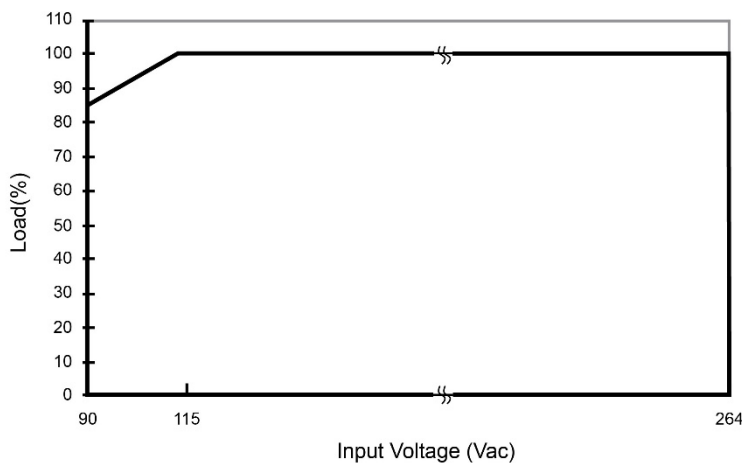


**Fig. 1 De-rating for Vertical and Horizontal Mounting Orientation**  
 > 50°C de-rate power by 2% / °C

### Note

1. Power supply components may degrade, or be damaged, when the power supply is continuously used outside the shaded region, refer to the graph shown in Fig. 1.
2. The PSU will be bouncing and start up time will not exceed 60s when ambient temperature  $\leq -30$  °C
3. If the output capacity is not reduced when the surrounding air temperature exceeds its specification as defined on Page 3 under "Environment", the device will run into Over Temperature Protection. When activated, the output voltage will go into bouncing mode and will recover when the surrounding air temperature is lowered or the load is reduced as far as necessary to keep the device in working condition.
4. In order for the device to function in the manner intended, it is also necessary to keep a safety distance as recommended in the safety instructions while the device is in operation.
5. Depending on the surrounding air temperature and output load delivered by the power supply, the device can be very hot!

### Output Load De-rating VS Input Voltage



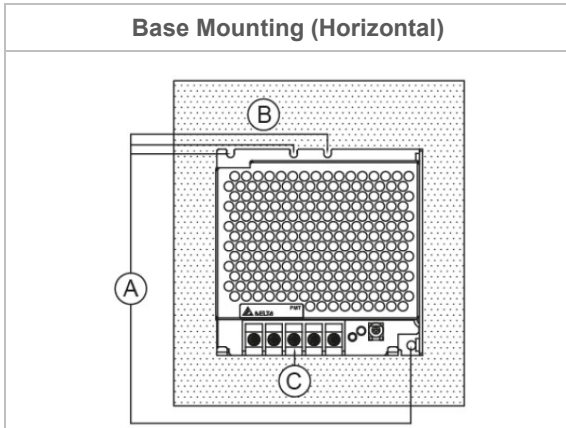
- No output power de-rating for the input voltage from 115Vac to 264Vac

# PMT2 Panel Mount Power Supply

PMT2 100W series / PMT-□V100W2B□□

## Assembly & Installation

- Ⓐ Mounting holes for power supply assembly onto the mounting surface.  
The power supply shall be mounted on minimum 2 mounting holes using M3 screw minimum 5mm (0.20 inch) length.
- Ⓑ This surface belongs to customer's end system or panel where the power supply is mounted.
- Ⓒ Connector



\* If the device has to be mounted in any other orientation, please contact [info@deltapsu.com](mailto:info@deltapsu.com) for more details.

- Use flexible cable (stranded or solid) of AWG No. 22-12. User should calculate and select the suitable wire specification (type/quantity/diameter) according to actual output current. The torque at the Connector shall not exceed 13Kgf.cm. (11.23 lbf.in). The insulation stripping length should not exceed 0.275" or 7mm (Refer to Fig. 3).

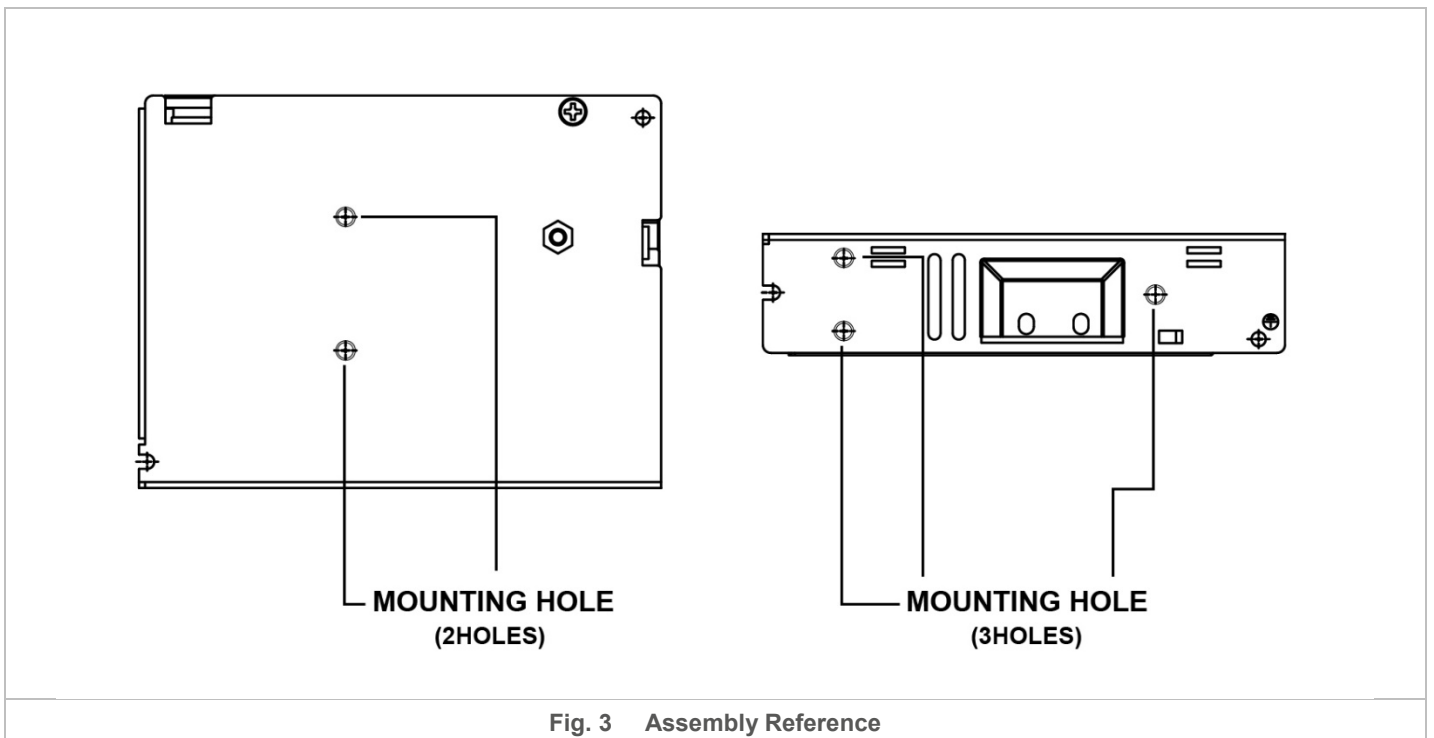


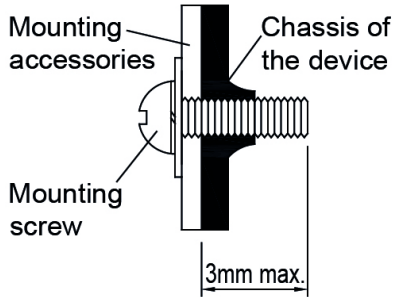
Fig. 3 Assembly Reference

Ensure the mounted device is kept at  $\geq 8\text{mm}$  (0.16 inch) safety distance at all sides from other components and equipment.



# PMT2 Panel Mount Power Supply

PMT2 100W series / PMT-□V100W2B□□



- Only use M3 screw  $\leq 3\text{mm}$  (0.20 inch) through the base mounting holes. This is to keep a safe distance between the screw and internal components.
- Recommended mounting tightening torque: 4~7Kgf.cm. (3.47~6.08 lbf.in).

Fig. 4 Mounting Screw

## Safety Instructions

- If user's mounting orientation is not according to the recommended mounting orientations, please consult Delta for further information.
- To ensure sufficient convection cooling, always maintain a safety distance of  $\geq 50\text{mm}$  (1.97 inch) from all ventilated surfaces while the device is in operation.
- The device is not recommended to be placed on low thermal conductive surface. For example, plastics.
- The enclosure of the device can become very hot depending on the ambient temperature and load of the power supply. Do not touch the device while it is in operation or immediately after power is turned OFF. Risk of burning!
- Do not touch the terminals while power is being supplied. Risk of electric shock.
- Prevent any foreign metal, particles or conductors from entering the device through the openings during installation. It may cause: Electric shock; Safety Hazard; Fire; Product failure
- The power supply must be mounted by metal screws onto a grounded metal surface. It is highly recommended that the Earth terminal on the connector be connected to the grounded surface.
- Must be connected Earth terminal with  $\oplus$  mark on metal side surface.

# PMT2 Panel Mount Power Supply

PMT2 100W series / PMT-□V100W2B□□

## Functions

### Start-up Time

The time required for the output voltage to reach 90% of its final steady state set value, after the input voltage is applied.

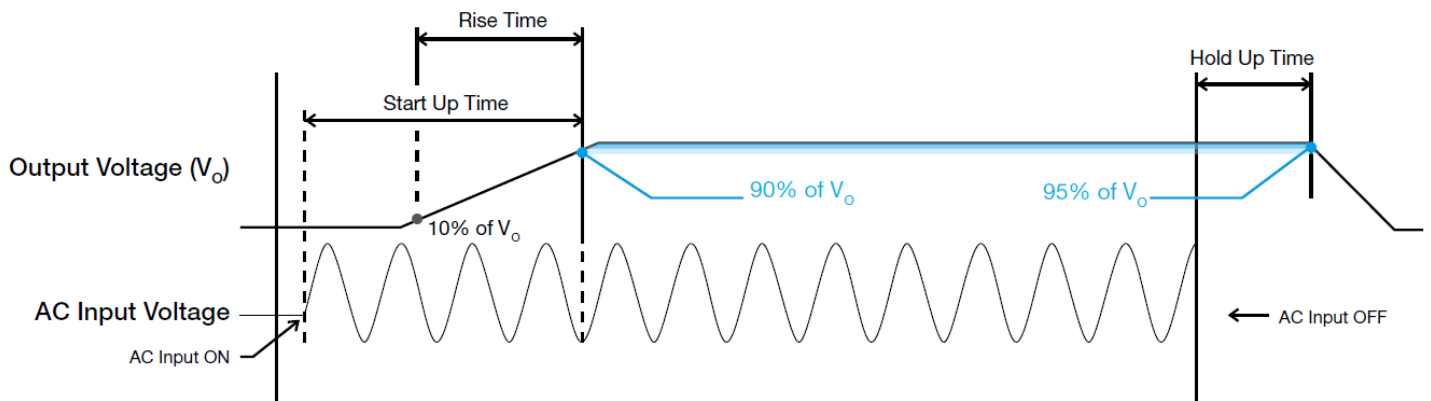
### Rise Time

The time required for the output voltage to change from 10% to 90% of its final steady state set value.

### Hold-up Time

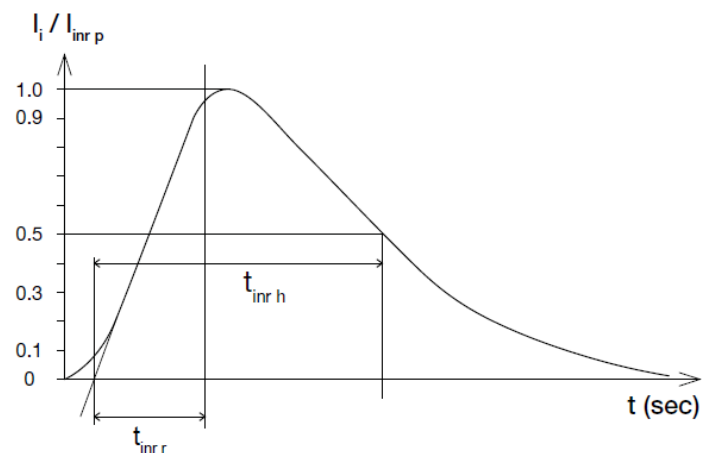
Time between the collapse of the AC input voltage, and the output falling to 95% of its steady state set value.

### ■ Graph illustrating the Start-up Time, Rise Time, and Hold-up Time



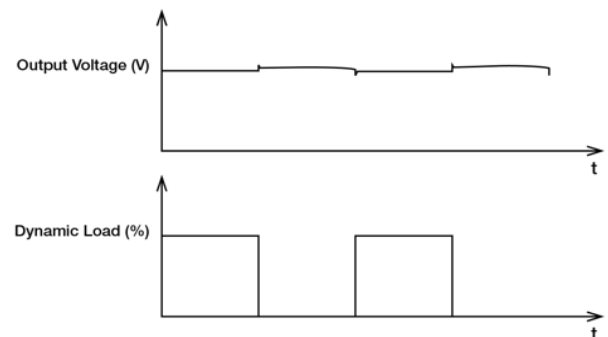
### Inrush Current

Inrush current is the peak, instantaneous, input current measured and, occurs when the input voltage is first applied. For AC input voltages, the maximum peak value of inrush current will occur during the first half cycle of the applied AC voltage. This peak value decreases exponentially during subsequent cycles of AC voltage.



### Dynamic Response

The power supply output voltage will remain within  $\pm 10\%$  of its steady state value, when subjected to a dynamic load from 0% to 100%



# PMT2 Panel Mount Power Supply

PMT2 100W series / PMT-□V100W2B□□

## Operating Mode

### ■ Redundant Operation

In order to ensure proper redundancy operation for the power supply unit (PSU), ensure that the output voltage difference between the two units is kept at 0.45~0.50V for 24V supplies. Follow simple steps given below to set them up for the redundant operation:

#### Step 1.

Measure output voltage of PSU 1 and PSU 2. If PSU 1 is the master unit, then  $V_O$  of PSU 1 must be higher than PSU 2. In order to set the output voltage, individually connect the power supply to 50% of rated load, and set the PSU 1 and PSU 2 output voltage.

#### Step 2.

Connect the power supply units PSU 1 and PSU 2 to Vin 1 & Vin 2, respectively, of the DRR-20N (or 20A) module shown on the diagram on the right.

#### Step 3.

Connect the system load from  $V_{out}$ . Please note that output voltage  $V_{out}$  from DRR module will be  $= V_O$  (output voltage of power supply)  $- V_{drop}^*$  (in DRR module).

\* $V_{drop}$  will vary from 0.60V to 0.90V (Typical 0.65V) depending on the load current and surrounding air temperature.

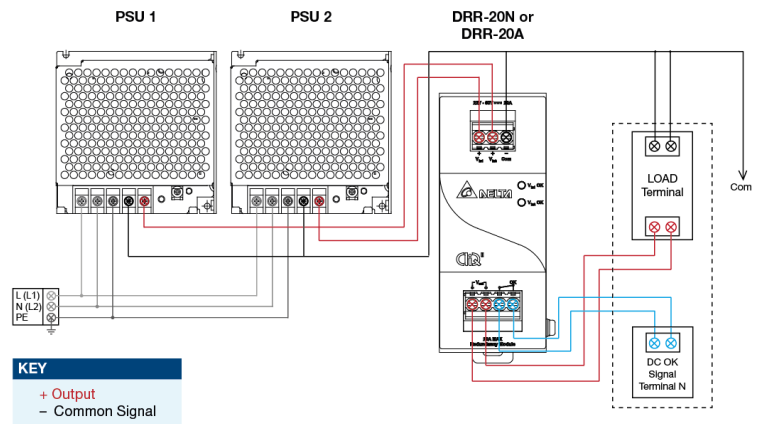


Fig. 5 Redundant Operation Connection Diagram

### ■ Parallel Operation

The power supply units (PSUs) can also be used for parallel operation in order to increase the output power. The difference in output voltage between the two units must be kept to within 25mV of each other. This difference must be verified with the same output load connected independently to each unit.

Parameters such as EMI, inrush current, leakage current, PARD, start up time will be different from those on the datasheet, when two units are connected in parallel. The user will need to verify that any differences will still allow the two power supplies connected in parallel will work properly in their product/application.

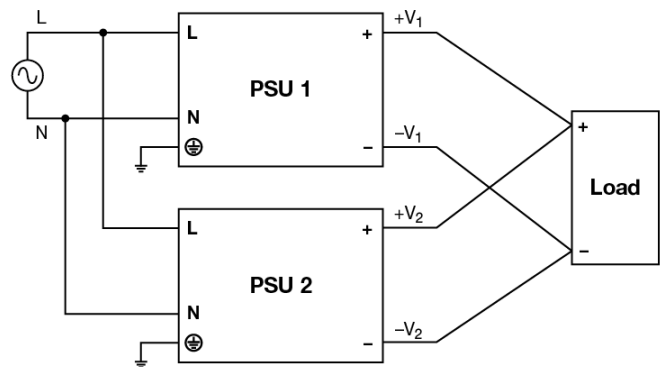


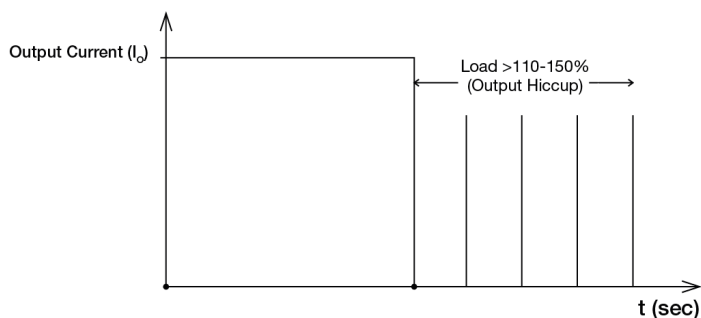
Fig. 6 Parallel Operation Connection Diagram

# PMT2 Panel Mount Power Supply

PMT2 100W series / PMT-□V100W2B□□

## Overload & Overcurrent Protections (Auto-Recovery)

The power supply's Overload (OLP) and Overcurrent (OCP) Protections will be activated when output current exceeds 110% of  $I_o$  (Max load). In such occurrence, the  $V_o$  will start to droop and once the power supply has reached its maximum power limit, the protection is activated and the power supply will go into "Hiccup mode" (Auto-Recovery). The power supply will recover once the fault condition of the OLP and OCP is removed and  $I_o$  is back within the specifications.



It is not recommended to prolong the duration of  $I_o$  when it is <110% but >100%, since it may cause damage to the PSU.

## Short Circuit Protection (Auto-Recovery)

The power supply's output OLP/OCP function also provides protection against short circuits. When a short circuit is applied, the output current will operate in "Hiccup mode", as shown in the illustration in the OLP/OCP section on this page. The power supply will return to normal operation after the short circuit is removed.

## Others

### Delta RoHS Compliant



### Restriction of the usage of hazardous substances

The European directive 2011/65/EU limits the maximum impurity level of homogeneous materials such as lead, mercury, cadmium, chrome, polybrominated flame retardants PBB and PBDE for the use in electrical and electronic equipment. RoHS is the abbreviation for "Restriction of the use of certain hazardous substances in electrical and electronic equipment".

This product conforms to this standard.

## Attention

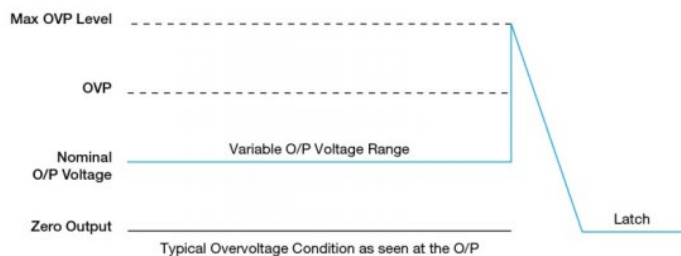
Delta provides all information in the datasheets on an "AS IS" basis and does not offer any kind of warranty through the information for using the product. In the event of any discrepancy between the information in the catalog and datasheets, the datasheets shall prevail (please refer to [www.DeltaPSU.com](http://www.DeltaPSU.com) for the latest datasheets information). Delta shall have no liability of indemnification for any claim or action arising from any error for the provided information in the datasheets. Customer shall take its responsibility for evaluation of using the product before placing an order with Delta.

Delta reserves the right to make changes to the information described in the datasheets without notice.

## Overvoltage Protection (Latch Mode)

The power supply's overvoltage circuit will be activated when its internal feedback circuit fails. The output voltage shall not exceed its specifications defined on under "Protections". Power supply will latch, and require removal/re-application of input AC voltage in order to restart.

**The power supply should be latch, and require removal /re-apply of input AC voltage in order to restart.**



## Over Temperature Protection (Latch Mode)

As described in load de-rating section, the power supply also has Over Temperature Protection (OTP). In the event of a higher operating temperature at 100% load, the power supply will run into OTP when the operating temperature is beyond what is recommended in the de-rating graph. When activated, the output voltage will go into latch mode until the temperature drops to its normal operating temperature as recommended in the de-rating graph.